

# ATE10 target elevator®

Installation manual  
Version for target HS10

SIUS AG  
Im Langhag 1 | CH-8307 Effretikon | Switzerland  
Phone +41 52 354 60 60  
[www.sius.com](http://www.sius.com) | [info@sius.com](mailto:info@sius.com)



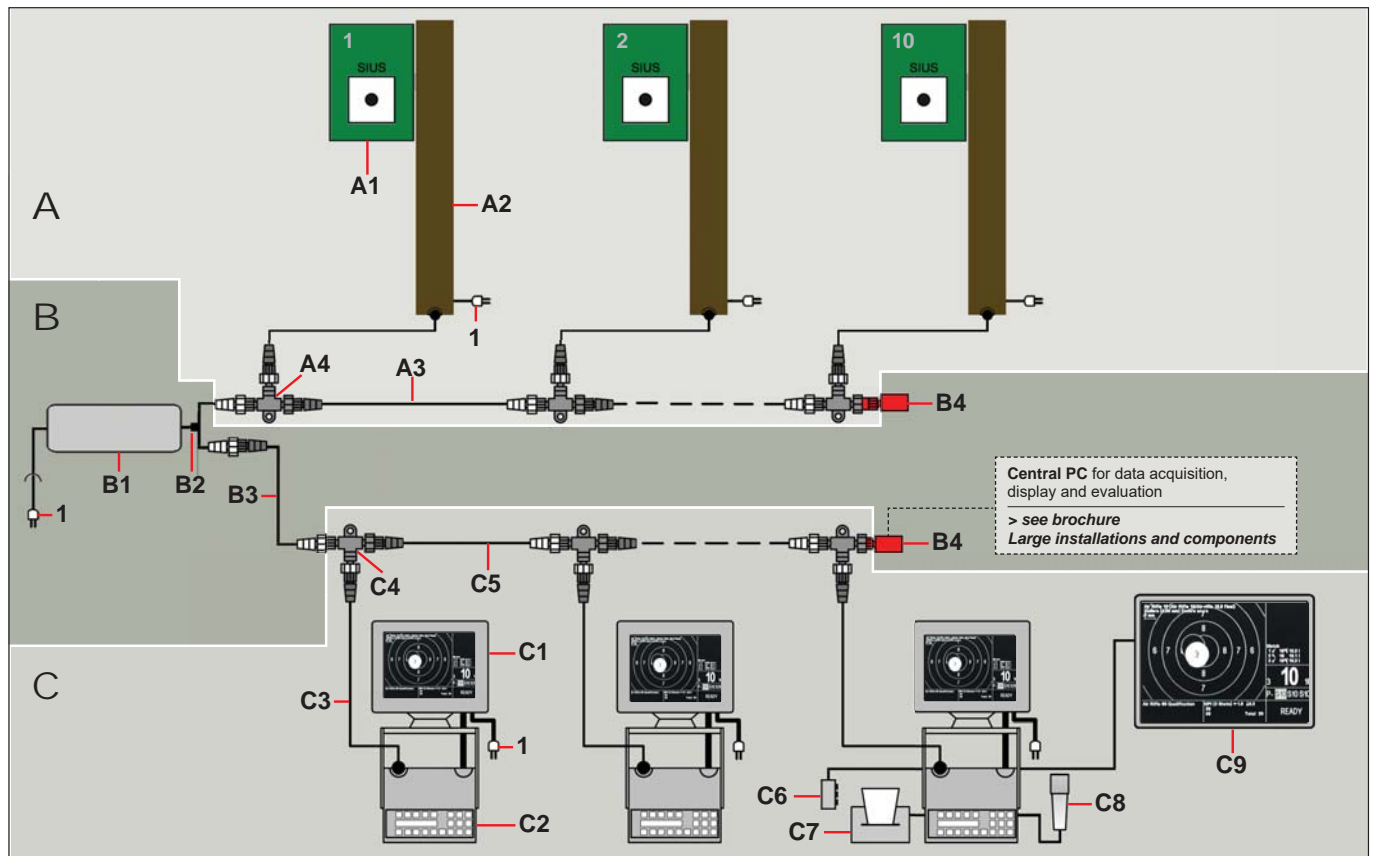
## Table of contents

	<b>Page</b>
<b>Installation</b>	<b>3–5</b>
Installation overview	3
Example of an installation	4–5
<b>Target elevator for airguns</b>	<b>6–11</b>
Target elevator ATE10G2V1	6
Installation print	7
Installation of fixing bracket	8–9
Assembly of target and bullet trap	9
Laying and connection of cables	10
Closing the target	11
<b>Target elevator for small bore rifle</b>	<b>12–17</b>
Target elevator ATE10G2V2	12
Installation print	13
Installation of fixing bracket	14
Assembly of target and target holder	15
Laying and connection of cables	16
Closing the target	17
Mounting of reinforced front frame for small bore rifle	17
<b>Start-up</b>	<b>18–19</b>
<b>Function test</b>	<b>20–21</b>

### Air rifle/air pistol installation Small bore rifle installation

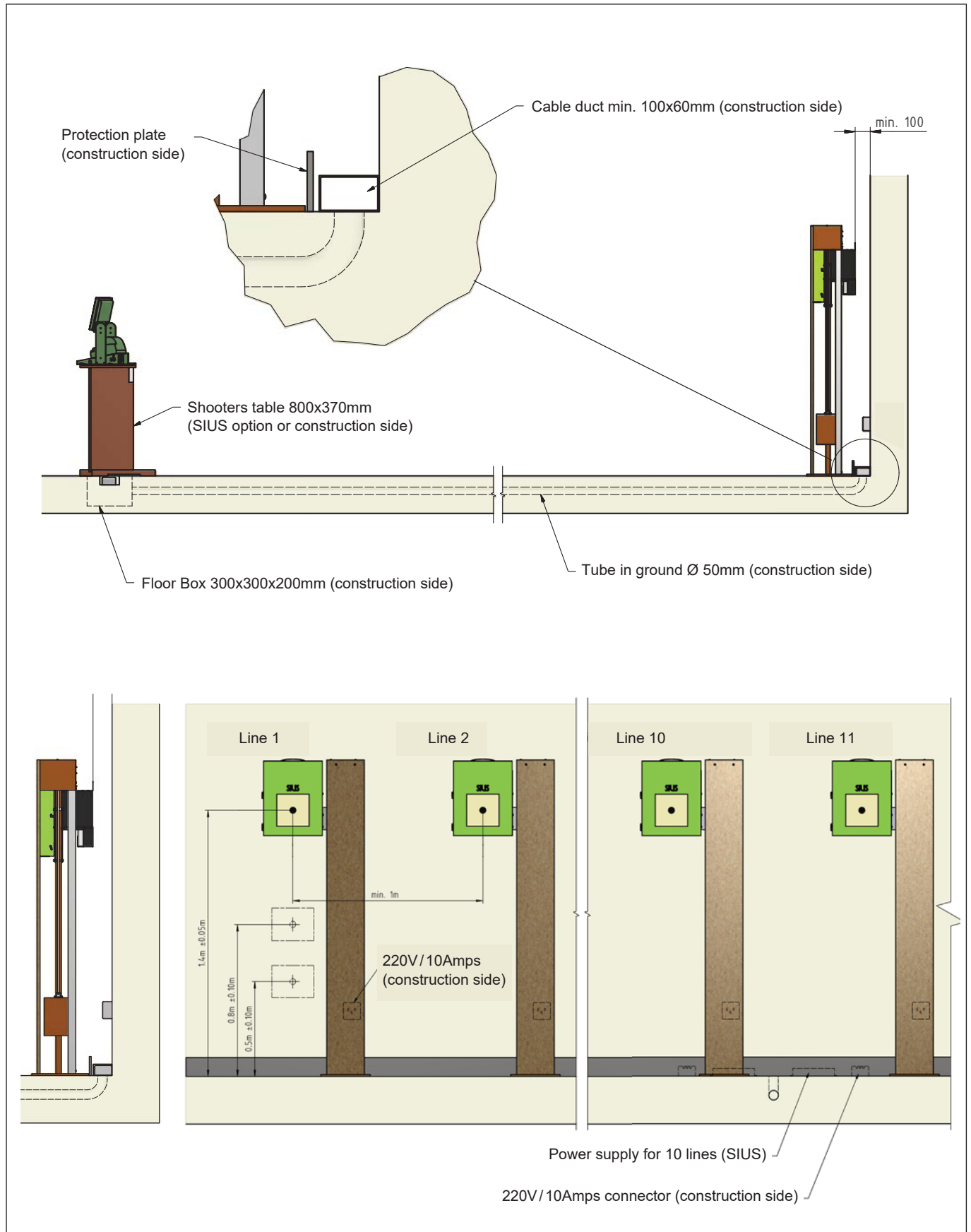
#### Installation overview

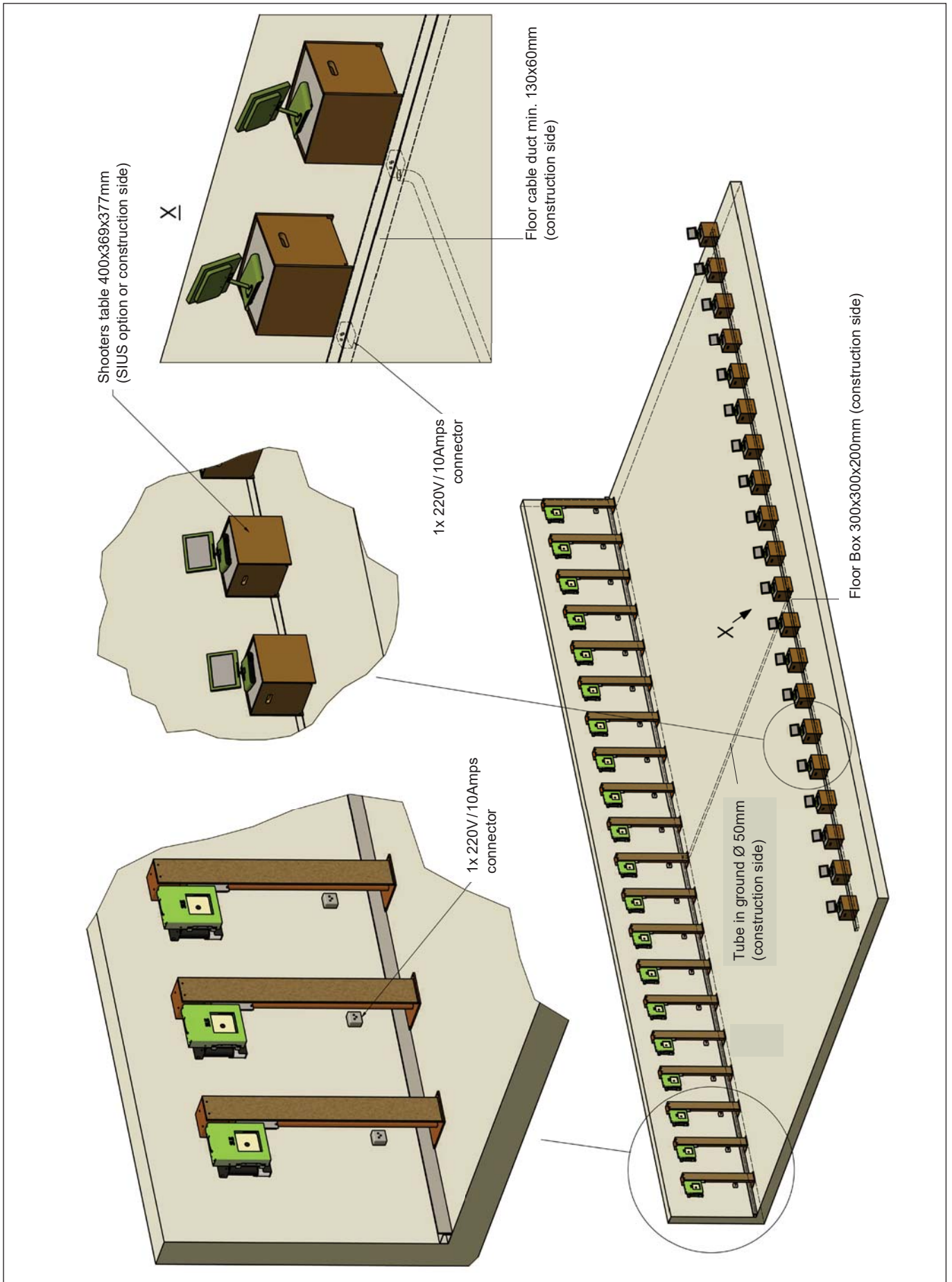
The installation is divided into 3 article groups: article group target line (A), article group for cables and power supply (B) and article group firing line (C). The article group for cables and power supply (B) is designed for 10 lines maximum. In addition, power supply cables are required (connection cable: device to country specific plug) (Pos. 1).



Pos.	Article no.	Pcs.	Description
<b>A Article group target line</b>			
A1	HS10	1	Target 10m resp. 50m
A2	ATE10G2V1/2	1	Automated target elevator for airguns resp. small bore rifle rifle
A3	KL001-2.0	1	Cable LTW male-fem 2.0m
A4	KL001-T	1	T-Adapter fem/fem/male LTW IP67
<b>B Article group cables and power supply</b>			
B1	NT211V0	1	Power supply for 10 lines 225W with LTW 230V
B2	KL013	1	Y power cable for NT211
B3	KL001-20.0	1	Cable LTW male-fem 20.0m (for 10m)
B3	KL001-65.0	1	Cable LTW male-fem 65.0m (for 50m)
B4	KL001-R	2	Terminating resistor, red, male LTW IP67
<b>C Article group firing line</b>			
C1	M941	1	Monitor TFT 10.4" (26cm)
C2	CU941-CLUB	1	Control unit for clubs, schools etc. (ISSF approval phase 1 and 2)
C2	CU941-ISSF	1	Control unit with software for ISSF competitions (ISSF- approval phase 1, 2 and 3)
C3	KL003-2.0	1	Cable LTW male-RJ45 2.0m
C4	KL001-T	1	T-Adapter fem/fem/male LTW IP67
C5	KL001-2.0	1	Cable LTW male-fem 2.0m
C6	RC941	1	Remote control RC941
C7	D112-N	1	Thermal printer incl. power supply (option)
C8	AAG133	1	Barcode scanner (option)
C9			Monitor for spectators (on request)
C10	SNI210-LANE	1	USB-LON-Dongle (yellow), option with PC/Laptop
	SIL	1	Evaluation and display program SIUSLANE
1	Reference		Country-specific power supply cable > AA1**

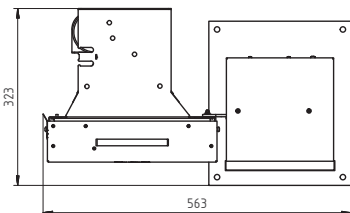
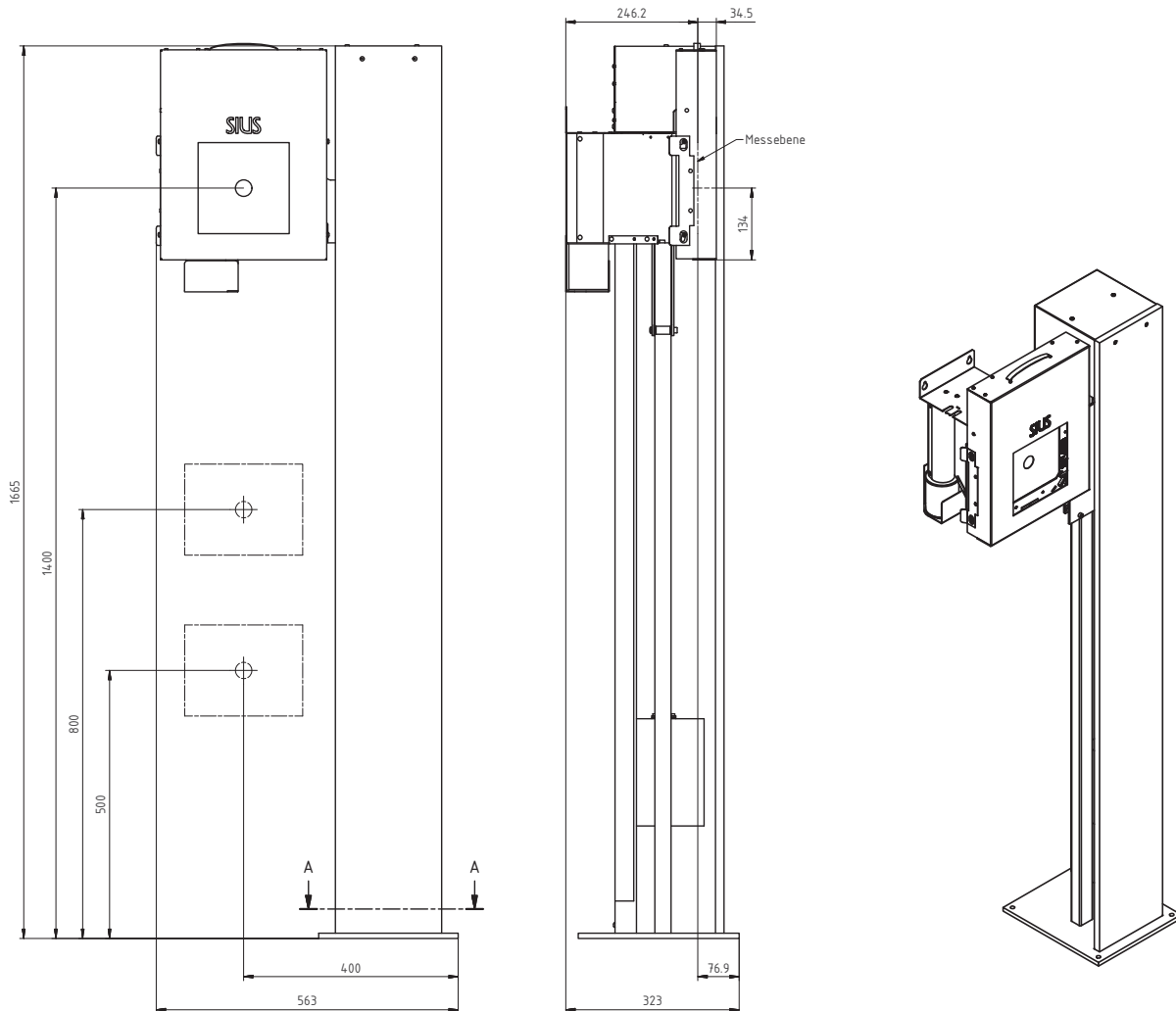
**Example of an installation**





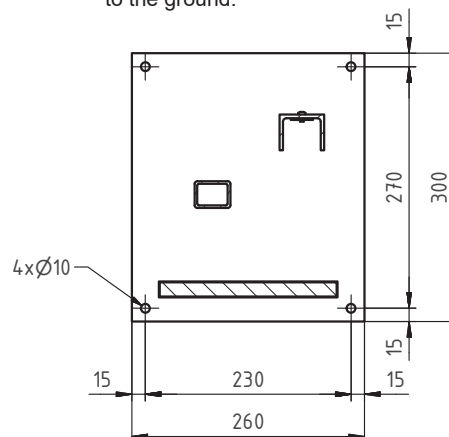
### Automated target elevator (3 positions) for airguns

- 1** Article no. ATE10G2V1  
Automated target elevator (3 positions) for HS10



#### 1.1 Mounting

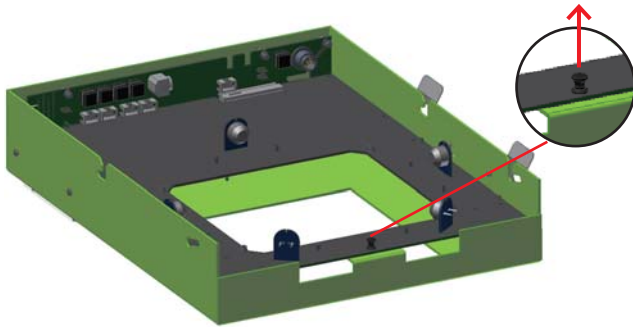
The base plate enables the fixation of the target elevator with M8 screws to the ground.



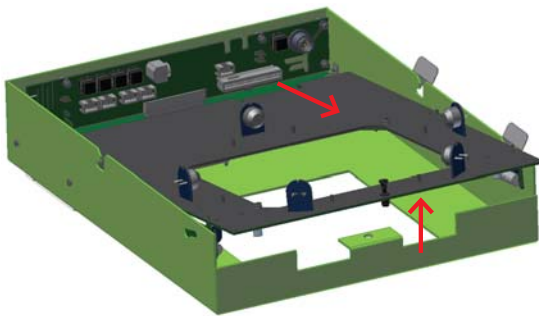
### 2 Article no. ATE10D008 Installation of print (control electronics)

2.1 To mount the print for the target elevator, it is necessary to remove the print out of the target in advance. This has to be done without a connected target holder.

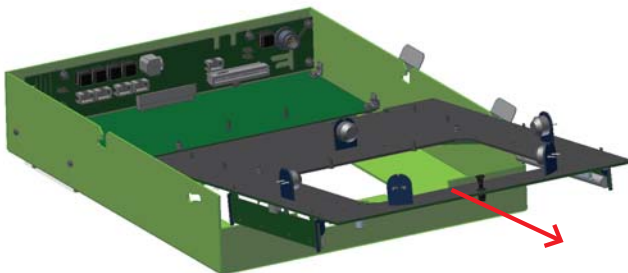
a) Pull out the mechanical interlock button of the print (must be locked again when closing the target).



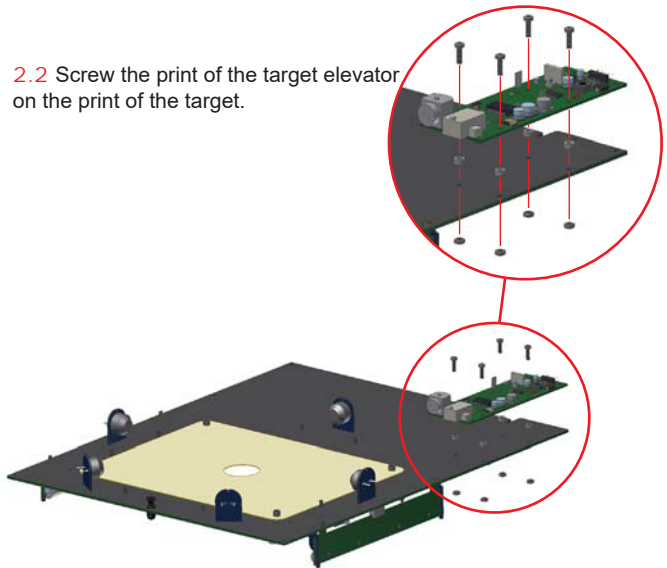
b) Unclip by raising and pulling.



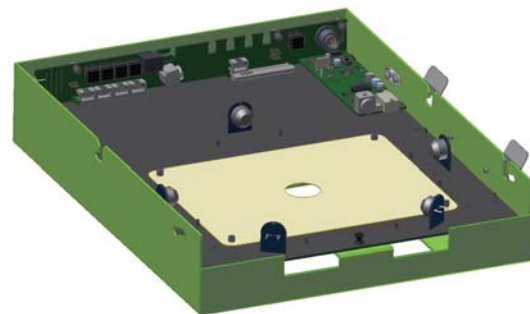
c) Pull out the whole print..

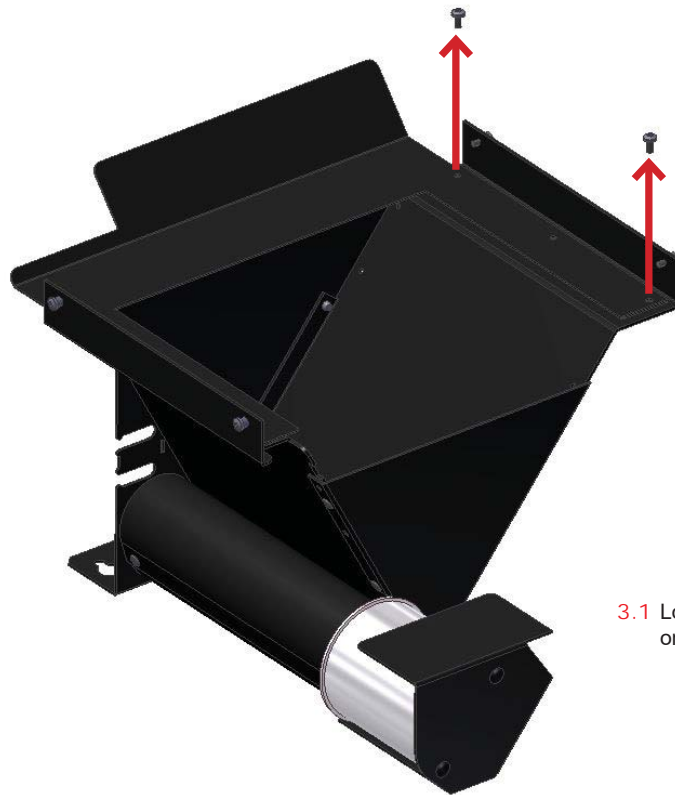


2.2 Screw the print of the target elevator on the print of the target.

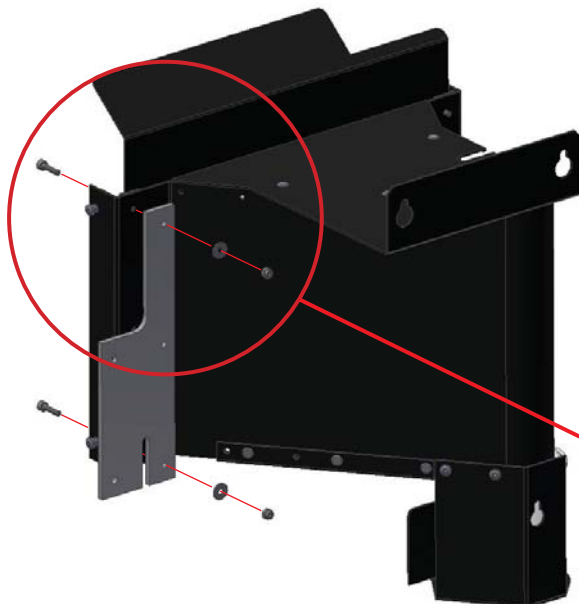


2.3 Reinstall the print of the target in reverse order to point 2.1.

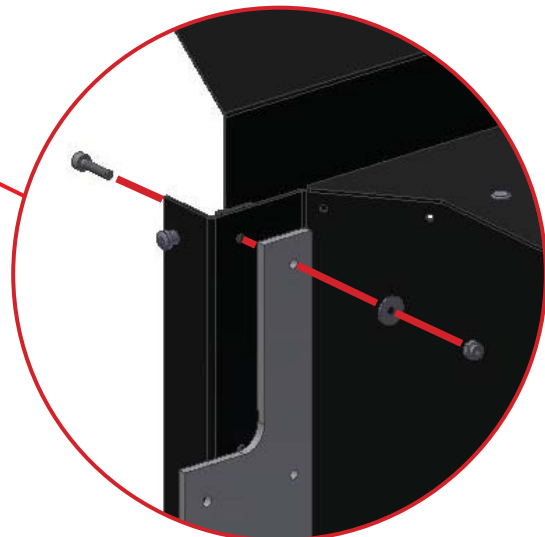


**3** Art.-Nr. ATE10A054  
**Mounting of fixing bracket**

**3.1** Loosen and remove the screws on the right side of the bullet trap.



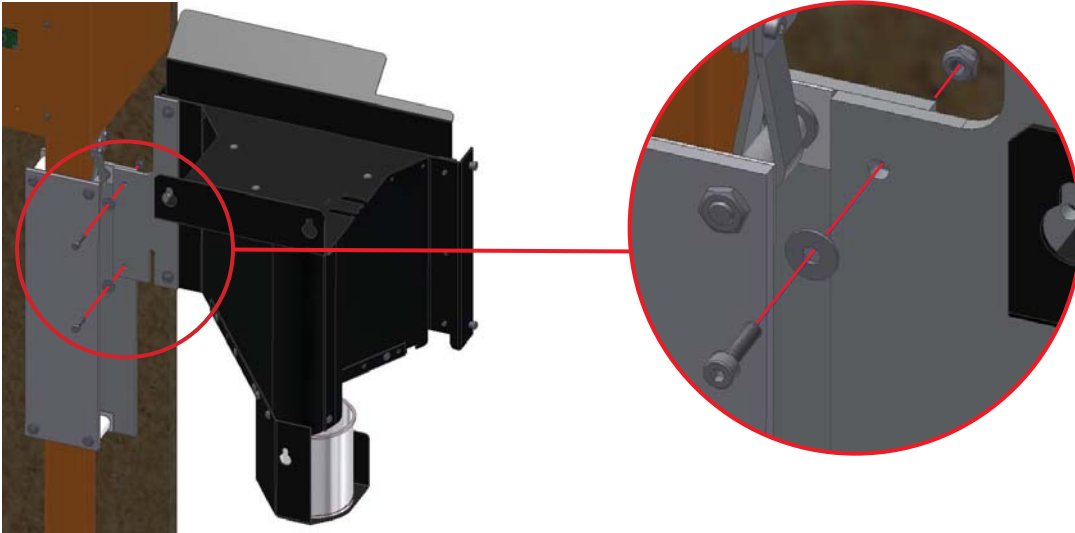
**3.2** Mount the fixing bracket on the bullet trap.





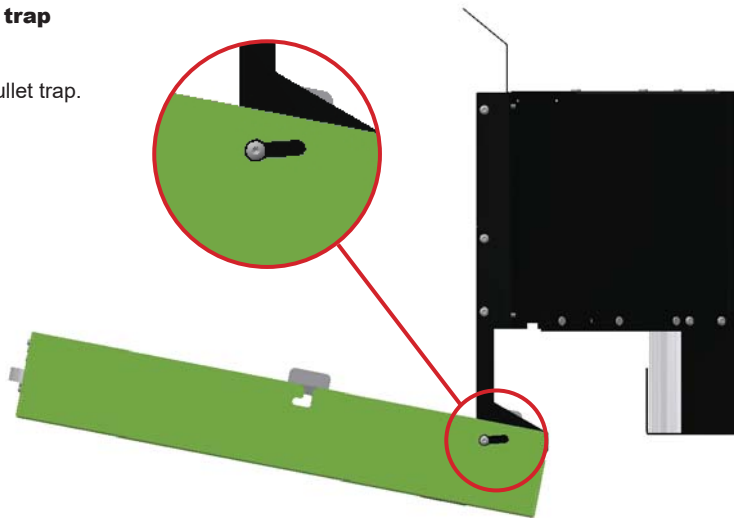
### 3.3 Mounting on the target elevator

The fixing bracket enables the mounting on the target elevator.

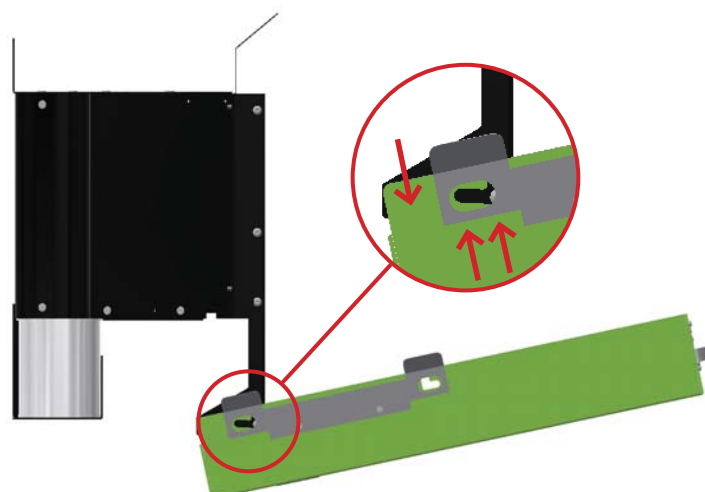


## 4 Assembly of target and bullet trap

4.1 Hook the target down right into the bullet trap.

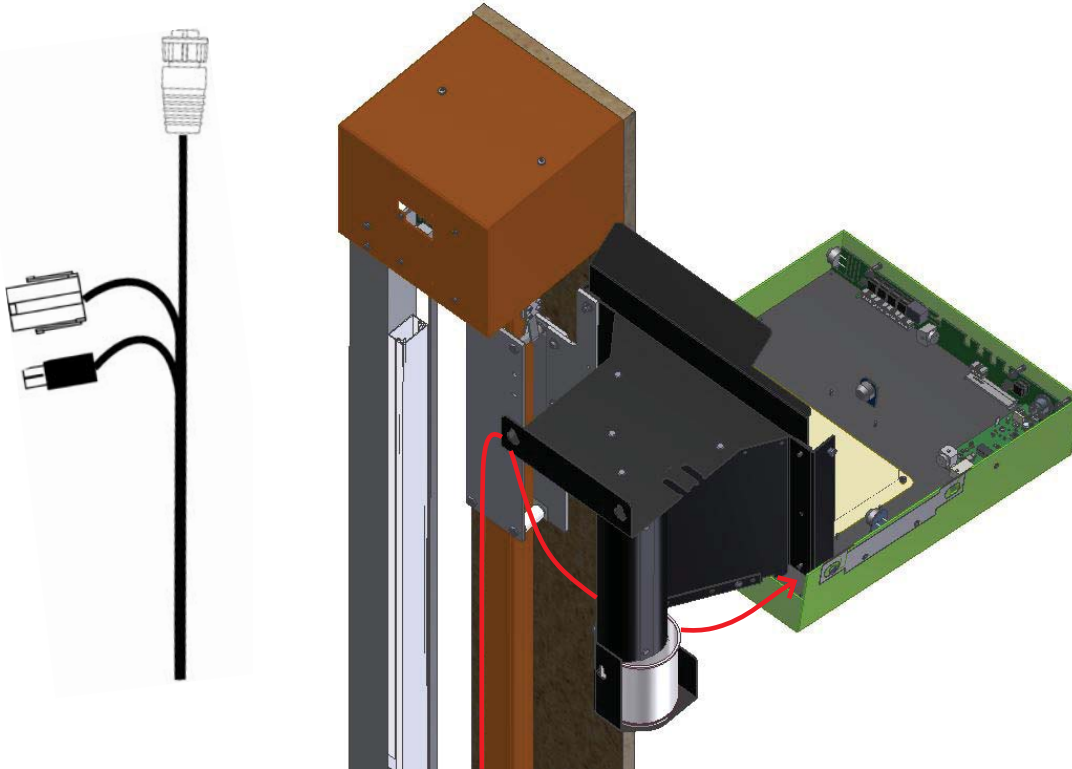


4.2 Next, push the locking plate down left to the side and hook it in as well, so that the target is connected with the bullet trap on both sides.

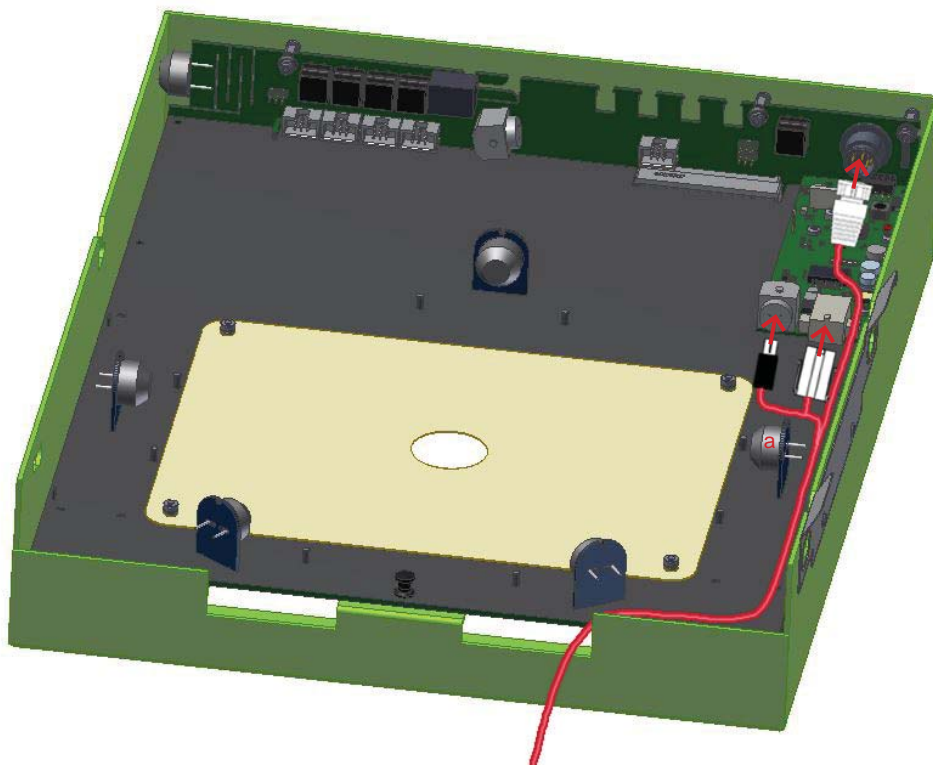


- 5** Laying and connection of the cables  
The automated target elevator provides a cable with all necessary connections.

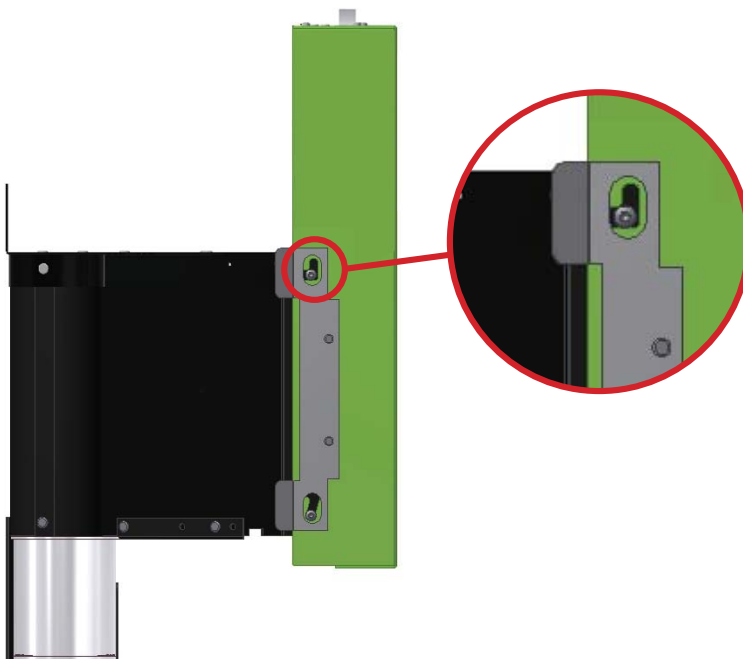
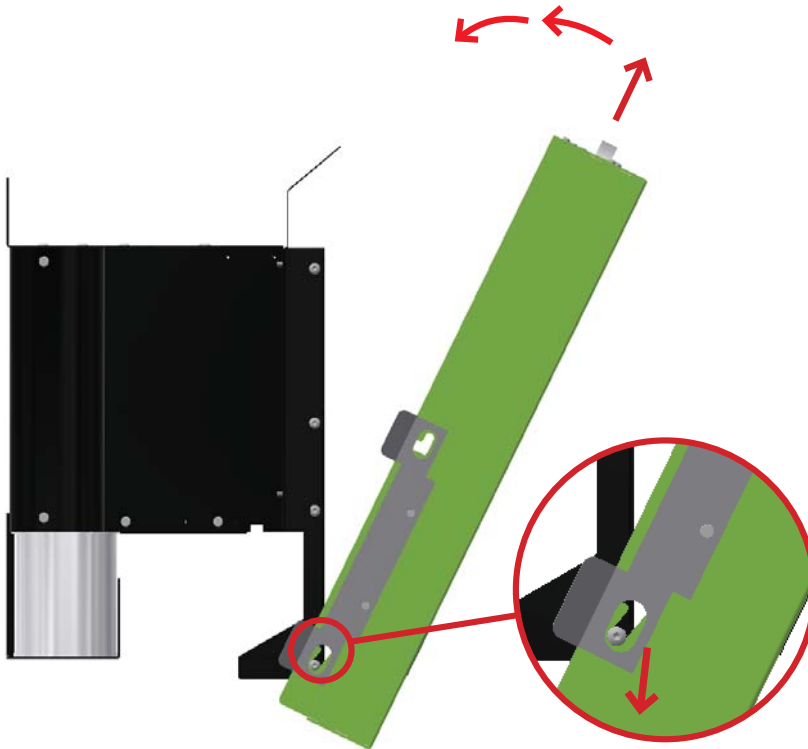
5.1 Insert the cable from behind into the target (not through the hole in the bullet trap).



5.2 Lay the cable behind the microphone (a) and plug all cable connectors.

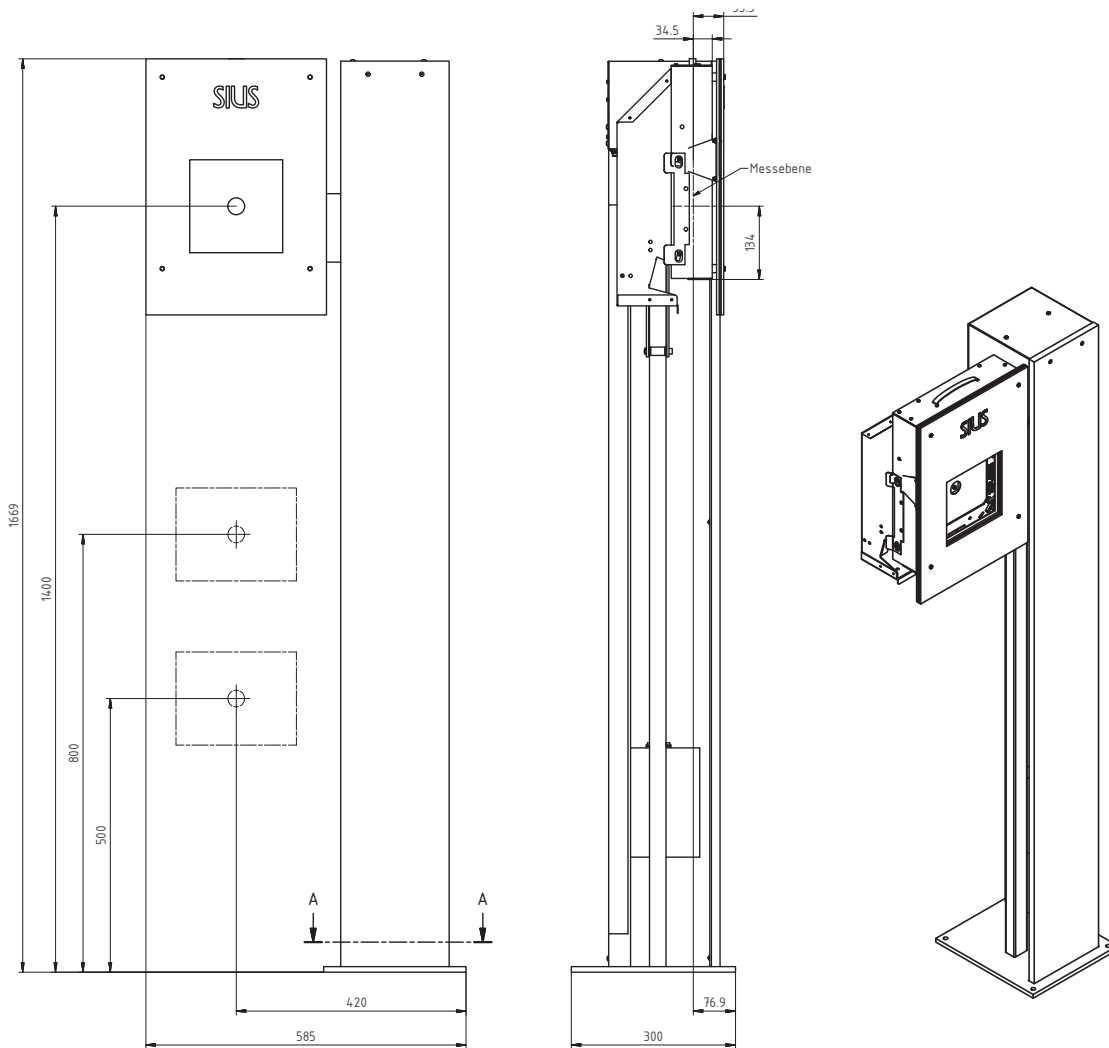


- 4** Closing the target  
Pull the target upwards and move it towards the bullet trap until the locking plate clicks into position.



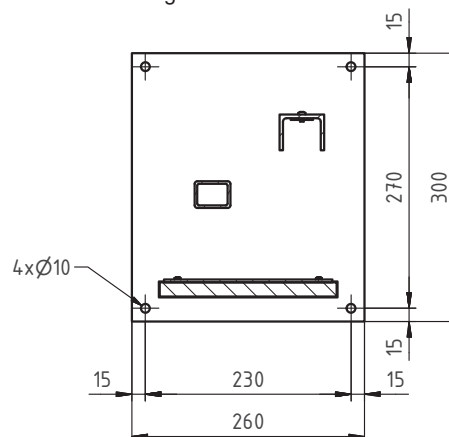
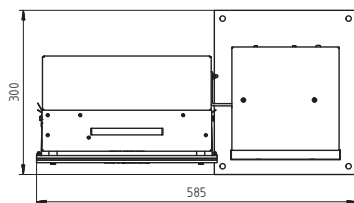
### Automated target elevator (3 positions) for small bore rifle

- 1** Article no. ATE10G2V2  
Automated target elevator (3 positions) for HS10



#### 1.1 Mounting

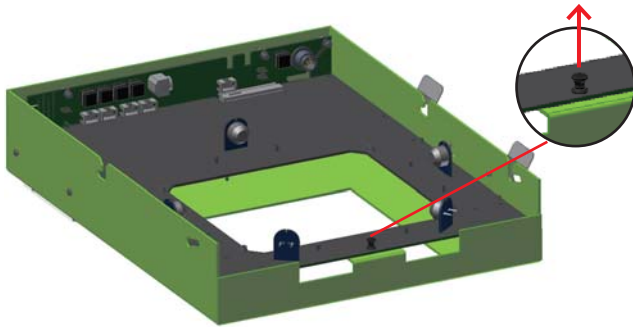
The base plate enables the fixation of the target elevator with M8 screws to the ground.



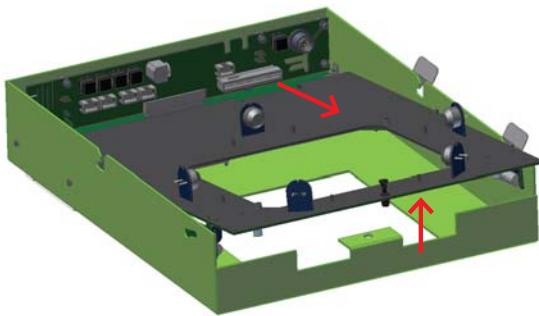
### 2 Article no. ATE10D008 Installation of print (control electronics)

2.1 To mount the print for the target elevator, it is necessary to remove the print out of the target in advance. This has to be done without a connected target holder.

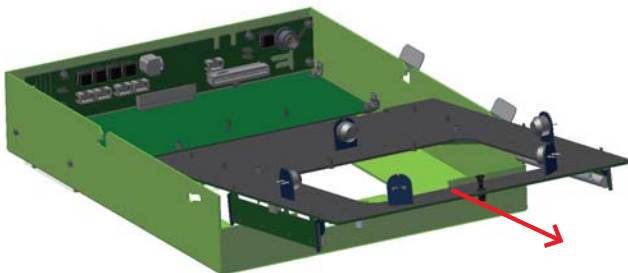
a) Pull out the mechanical interlock button of the print (must be locked again when closing the target).



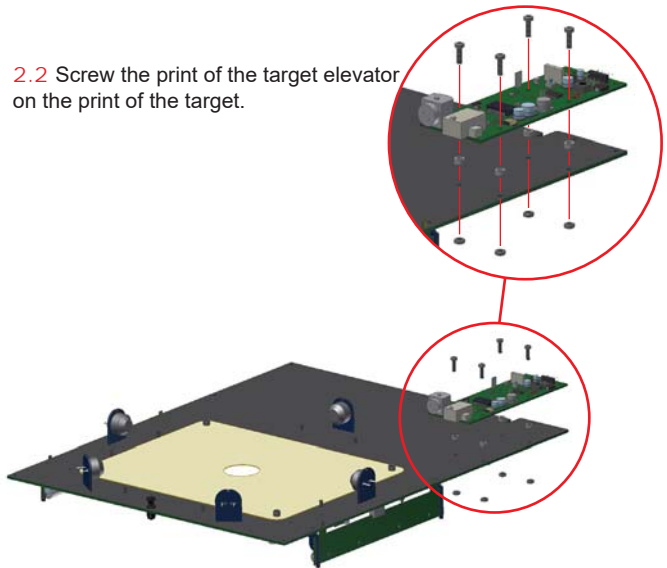
b) Unclip by raising and pulling.



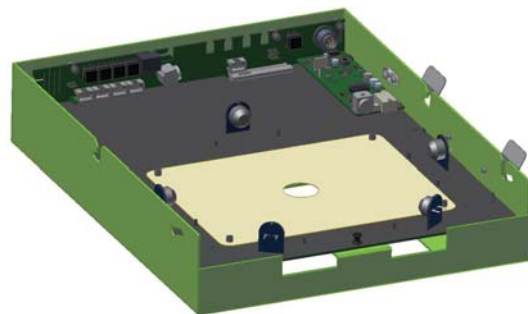
c) Pull out the whole print..



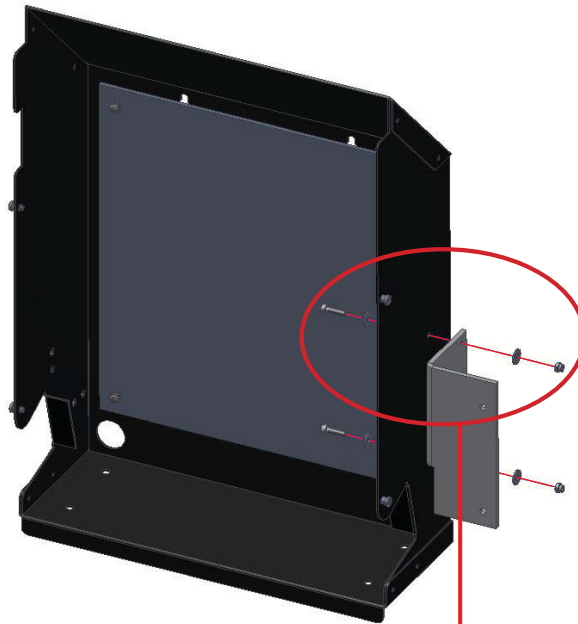
2.2 Screw the print of the target elevator on the print of the target.



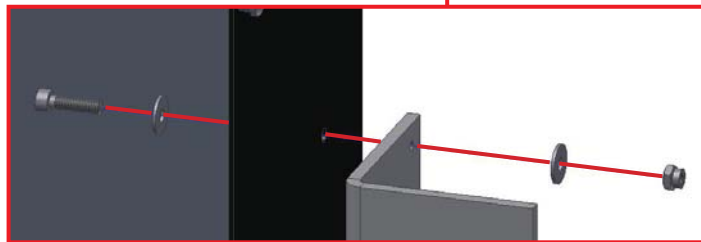
2.2 Reinstall the print of the target in reverse order to point 2.1.



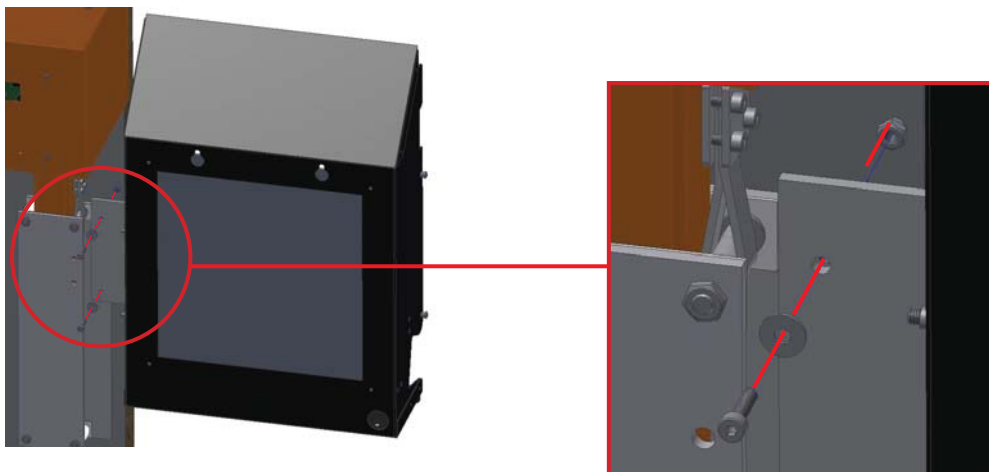
**3** Art.-Nr. ATE10A055  
**Mounting of fixing bracket**



**3.1 Mounting of the fixing bracket**  
 Mounting of the fixing bracket on the target holder.

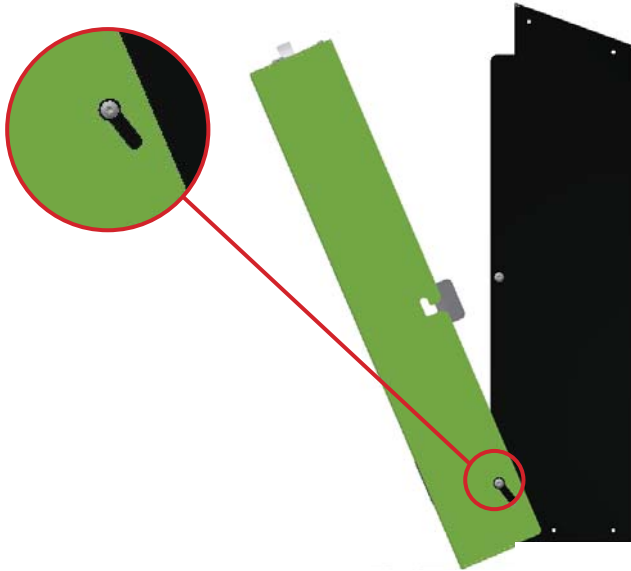


**3.2 Mounting on the target elevator**  
 The fixing bracket enables the mounting on the target elevator.

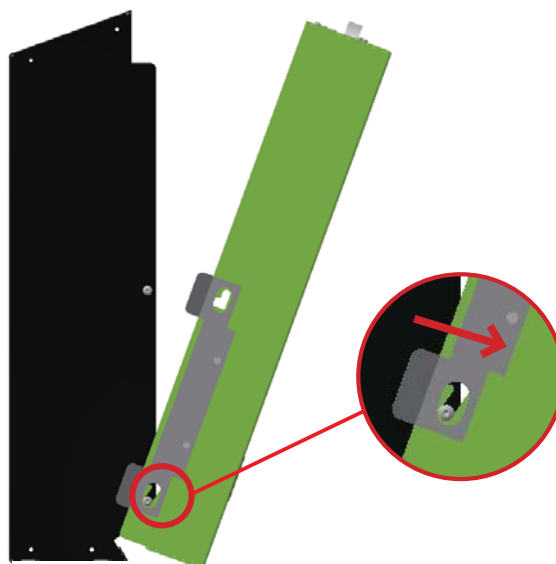


**4** Assembly of target and target holder

4.1 Hook the target down right into the target holder.

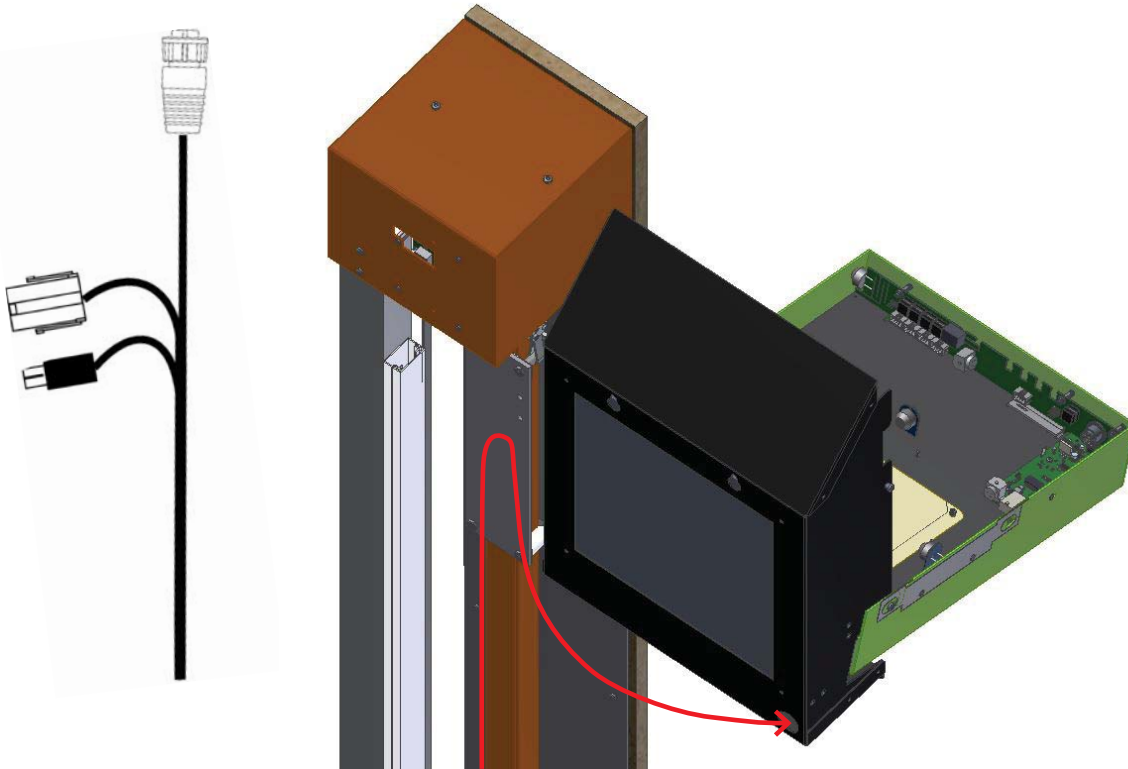


4.2 Next, push the locking plate down left to the side and hook it in as well, so that the target is connected with the target holder on both sides.

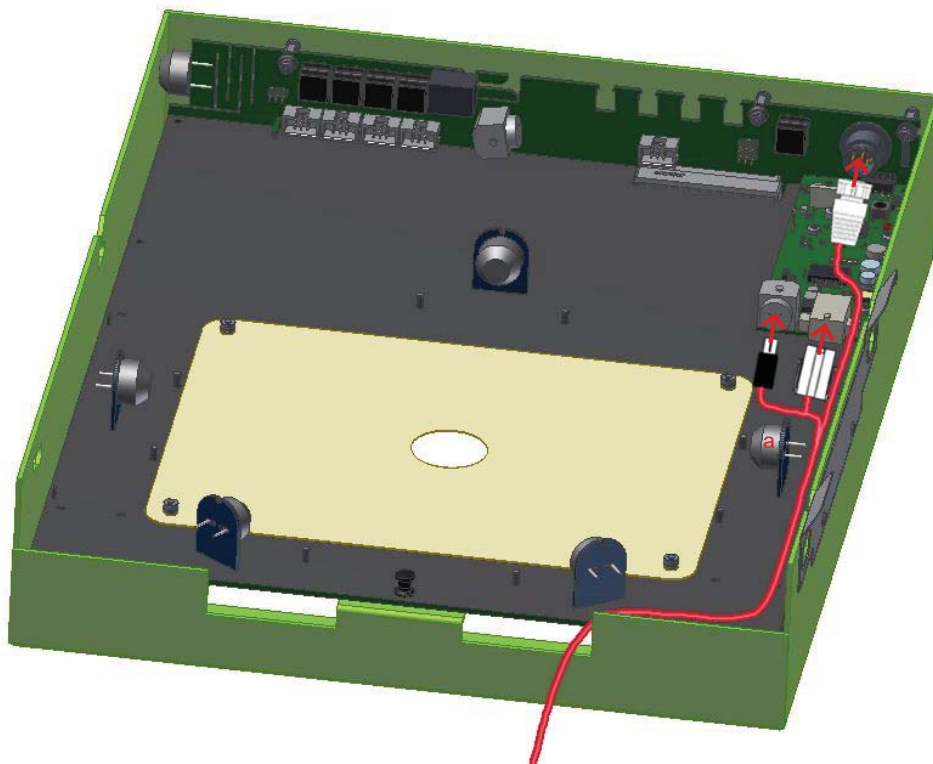


- 5** Laying and connection of the cables  
 The automated target elevator provides a cable with all necessary connections.

5.1 Insert the cable from behind through the hole in the bullet trap into the target.



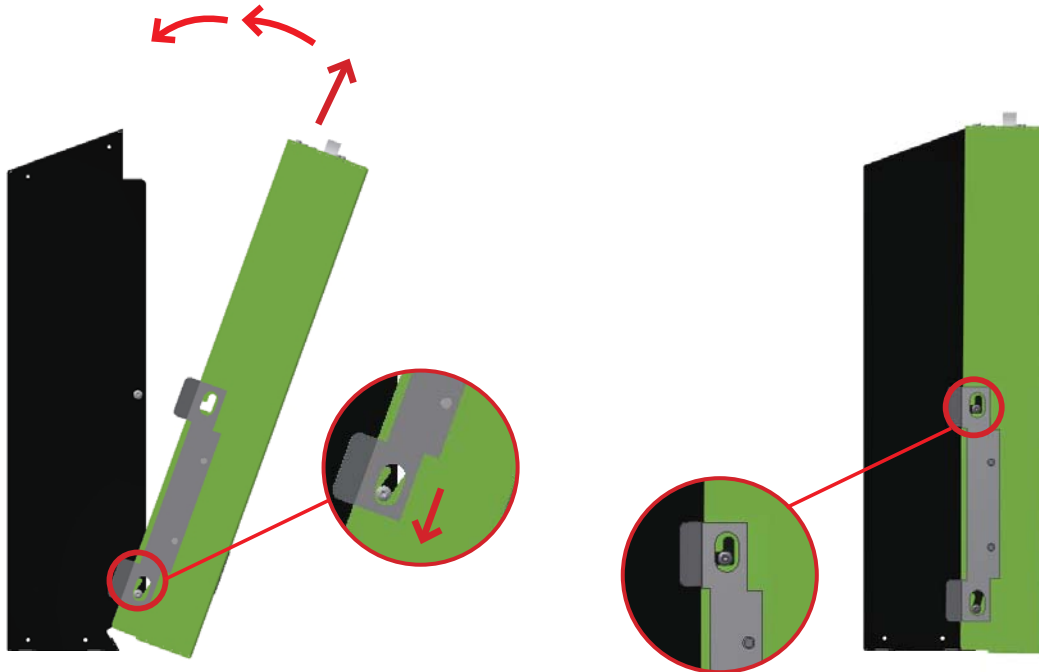
5.2 Lay the cable behind the microphone (a) and plug all connectors of the cables..





## 6 Closing the target

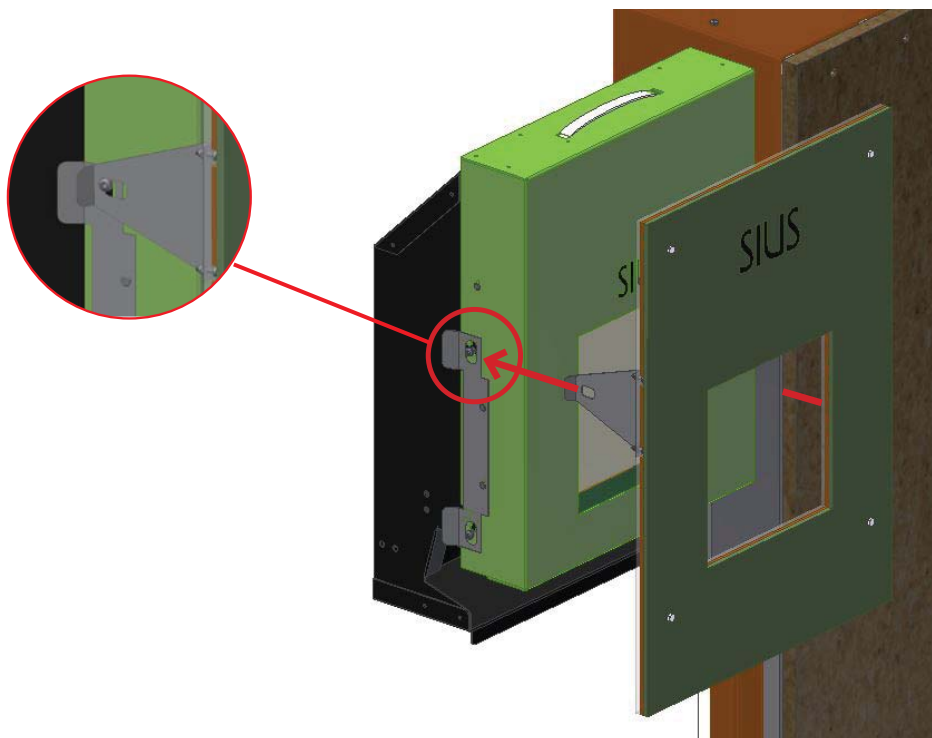
6.1 Pull the target upwards and move it towards the target holder until the locking plate clicks into position.



## 7 Art.-Nr. ATE10D015

### Mounting of the reinforced front frame for small bore rifle

7.1 After successful start-up of the installation (see page 18) the reinforced front frame is plugged onto the target.



## Start-up

### 1 Check in advance

- Are all devices connected accordingly to the instructions?
- Are there any visible damages on devices or cables?
- Is the voltage of the power supplies set accordingly to the voltage of the electric power supply?

### 2 Operational readiness of the target

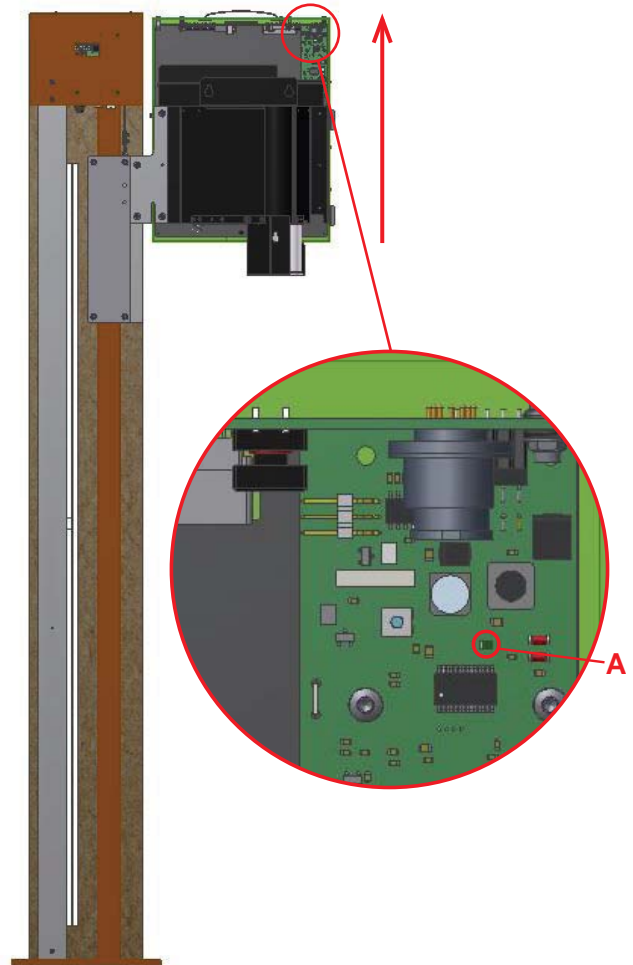
Before setting into operation, the target must be preconfigured, according to the installation manual for the HS10.  
[http://sius.com/downloads/docu/Inst\\_Wartung\\_HS10\\_d.pdf](http://sius.com/downloads/docu/Inst_Wartung_HS10_d.pdf)  
 > Start-up and function check.

### 3 Connecting to the electricity network

Connect all devices to the electricity network.

### 4 Reference run

After proper installation and connecting to the electricity network the green operating lamp is glowing (A) and the target elevator moves automatically to the top position and remains there.



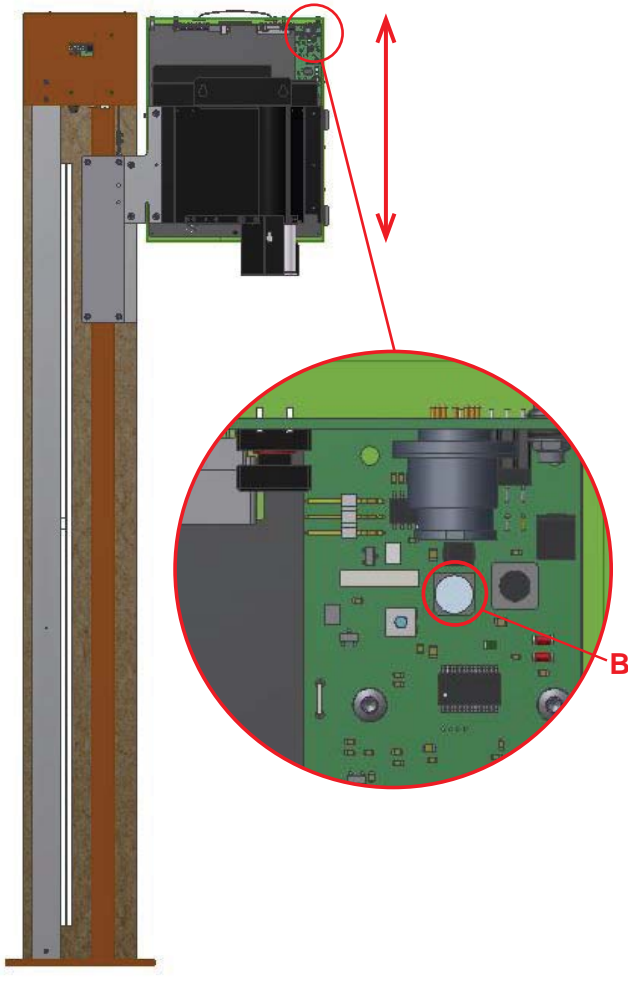
### 5 Configuration of control unit at firing point

The control unit (for example SA941 or PC/Laptop with LON-Dongle and software SIUSLANE) can be configured at this time.

### Function check

#### 1 Service-pin button

After pushing the service-pin button (B) the target elevator drives automatically to the next position (standing > kneeling > prone).



#### 2 Choosing an exercise

Test the functionality by choosing an exercise on the control unit and by checking the position of the target elevator.

#### NOTE

While the target elevator is moving, the target illumination is switched off.

The electrical supply of the target and the target elevator must be switched off to restart the installation.



Information och förfrågningar

Tfn 021-600 13

[www.sius.se](http://www.sius.se) | [info@sius.se](mailto:info@sius.se)

